



Badger Meter

Pistol Grip Series

Model PGE Meter

DESCRIPTION

The Model PGE meter is designed specifically to dispense motor oils (SAE 5...50), gear oils (SAE 80...240), automatic transmission fluid and antifreeze (Ethylene Glycol) solution.

Perfect balance, lightweight ruggedness, and comfortable grip make it the best choice for overhead reel systems.

The electronic register module contains a microprocessor board powered by a lithium battery with an expected life of 3 to 5 years, depending on use. It is programmed to dispense only in pints, quarts, liters, or US gallons and will totalize in liters or US gallons. A calibration factor and unit of measure are programmed during factory test. Unlike mechanical meters, these units can be electronically recalibrated in the field when necessary. A 6-digit liquid crystal display, accurate to the second decimal place, shows the exact amount of fluid dispensed. The entire register module is protected from the wear and tear of normal shop use by a rugged, glass-filled, shock-resistant nylon housing.

OPERATION

As fluid passes through the metering chamber by entering the inlet port, it displaces the piston and exits through the outlet port. Each oscillation of the piston displaces a given volume of fluid. Controlled clearances between the piston and chamber wall insure minimum leakage. As the piston oscillates, its center hub rotates a magnet which activates the microprocessor.

The display shows the amount of fluid dispensed since the last time the reset button was pushed. Pushing the reset button will reset the display to zero for the next dispense.

To Change the Unit of Measure

1. Press **TOTAL** three times followed by **RESET** three times in a time frame of under 2 seconds. The active unit of measure symbol will flash when you have entered programming mode.
2. Press **RESET** until desired unit of measure flashes on the display
3. To exit the programming mode, press and hold **RESET** and **TOTAL** simultaneously for 3 seconds.

The display will flash three times and then go blank to indicate the changes have been saved. Press **Reset** to turn the display back on.

NOTE: Changing any unit of measure will reset the non-resettable and resettable totalizers.



FEATURES

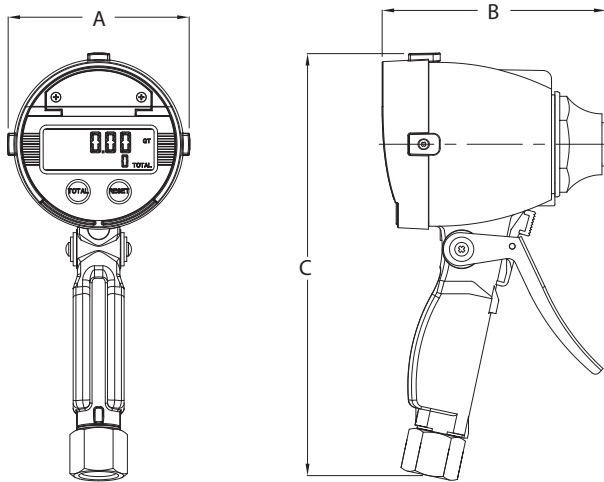
- Large 6-digit LCD display with two decimal point precision
- Dispense total display in pints, quarts, US gallons or liters
- Unit of measure selectable from the front of register
- Totalization in US gallons and liters
- Resettable and non-resettable totalizer
- Totalization data saved in non-volatile memory
- Display operation temperature range $-4...140^{\circ}\text{F}$ ($-20...60^{\circ}\text{C}$)
- Low battery indicator
- Long life field replaceable top load battery
- Accuracy of $\pm 0.5\%$
- Calibration factor programmable from front of register
- Calibration factor saved in non-volatile memory
- 1000 psi pressure rating
- NPT and BSP threads available

SPECIFICATIONS

Maximum Flow*	5 gpm (19 lpm)
Minimum Flow*	0.25 gpm (1 lpm)
Operating Pressure (Maximum)	1000 psi (67 bar)
Operating Pressure (Minimum)	5 psi (0.35 bar)
Operating Temperature (Maximum)	110° F (45° C)
Operating Temperature (Minimum)	-10° F (-20° C)
Accuracy	±0.5%
Weight	3 lb (1.36 kg)
Inlet and Outlet Connections	1/2 in. NPT (1/2 in. BSPP)

*Tested with Mobil DTE-25 motor oil at ambient temperature. Flow rates will vary with viscosity.

DIMENSIONS



Dimension	Size
A	4.09 in. (104 mm)
B	5.05 in. (128 mm)
C	9.53 in. (242 mm)

Control. Manage. Optimize.

Trademarks appearing in this document are the property of their respective entities. Due to continuous research, product improvements and enhancements, Badger Meter reserves the right to change product or system specifications without notice, except to the extent an outstanding contractual obligation exists. © 2022 Badger Meter, Inc. All rights reserved.